

Junction Box Connectivity Products

Multibox® Eurofast® Miniature Junction Boxes, 4-Port

- Single/Dual Input/Output per Port
- Available with or without LEDs
- Rugged Plastic Housing
- M12 or M16 Quick Disconnect or Integral Cable



4-Port, 1 Signal per Port, 10-48 VDC

Application	Specifications	Pinout				No LEDs	PNP LED	NPN LED
4-port J-box 1 signal per port Integral cable	4 A/port 2 A total w/1 power pair	<u>Function</u>	<u>Color</u>	<u>Function</u>	<u>Color</u>	4MBM12-4-*C	4MBM12-4P2-*C	4MBM12-4N2-*C
		+V	BN	Port 1/4	WH			
4-port J-box 1 signal per port stainless steel Integral cable	4 A total w/dual power Yellow PVC 8/24 AWG	-V	BU	Port 2/4	GN	4MBMV12-4-*C	4MBMV12-4P2-*C	4MBMV12-4N2-*C
		+V	PK	Port 3/4	YE			
4-port J-box 1 signal per port Eurofast (M12) connector	4 A/port 2 A total w/1 power pair 4 A total w/dual power 8-pin Eurofast connector 8 conductors. Mates with RKC 8.8T	-V	RD	Port 4/4	GY	4MBM12-4-FS 8	4MBM12-4P2-FS 8	4MBM12-4N2-FS 8
		+V	6	Port 3/4	3			
		-V	8	Port 4/4	4			

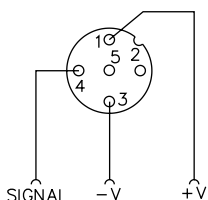
4-Port, 2 Signals per Port, 10-48 VDC

Application	Specifications	Pinout				No LEDs	PNP LED	NPN LED
4-port J-box 2 signals per port Integral cable	4 A/port 3 A total w/1 power pair	<u>Function</u>	<u>Color</u>	<u>Function</u>	<u>Color</u>	4MBM12-5-*C	4MBM12-5P3-*C	4MBM12-5N3-*C
		+V	BN	Port 2/4	GN			
4-port J-box 2 signals per port stainless steel Integral cable	6 A total w/dual power Yellow PVC 12/24 AWG	-V	BU	Port 2/2	RD	4MBMV12-5-*C	4MBMV12-5P3-*C	4MBMV12-5N3-*C
		+V	RD/BU	Port 3/4	YE			
4-port J-box 2 signals per port Versafast™ (M16) connector	4 A/port 3 A total w/1 power pair 6 A total w/dual power 14-pin Versafast connector 12 conductors. Mates with BKM 14-917-*	-V	GY/PK	Port 3/2	BK	4MBM12-5-BS14	4MBM12-5P3-BS14	4MBM12-5N3-BS14
		Port 1/4	WH	Port 4/4	GY			
		Port 1/2	PK	Port 4/2	VT			
		<u>Function</u>	<u>Pin/Color</u>	<u>Function</u>	<u>Pin/Color</u>			
		+V	A/RD/BU	Port 2/4	E/GN			
		-V	L/GY/PK	Port 2/2	R/RD			
		+V	M/BN	Port 3/4	O/YE			
		-V	U/BU	Port 3/2	G/BK			
		Port 1/4	P/WH	Port 4/4	C/GY			
		Port 1/2	N/PK	Port 4/2	S/VT			

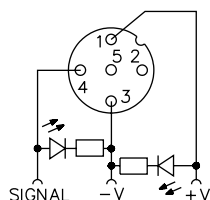
We reserve the right to make technical alterations without prior notice.

Functional Wiring Diagrams

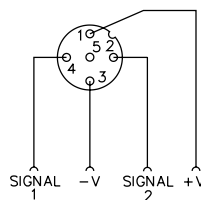
(No LED Version)
1 Signal per Port



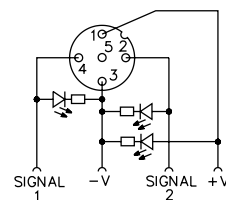
(PNP LED Version)
1 Signal per Port



(No LED Version)
2 Signals per Port



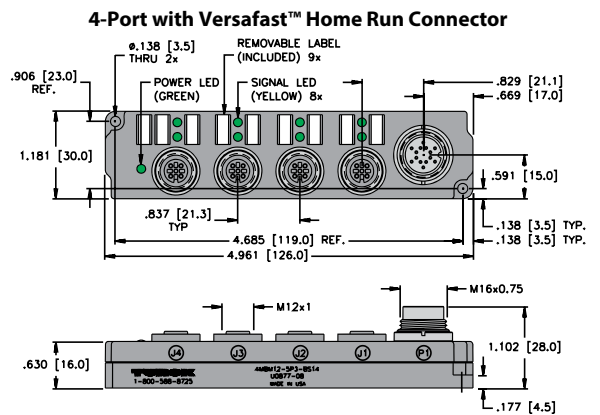
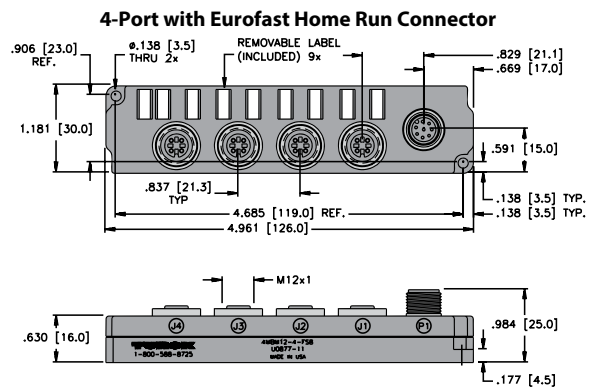
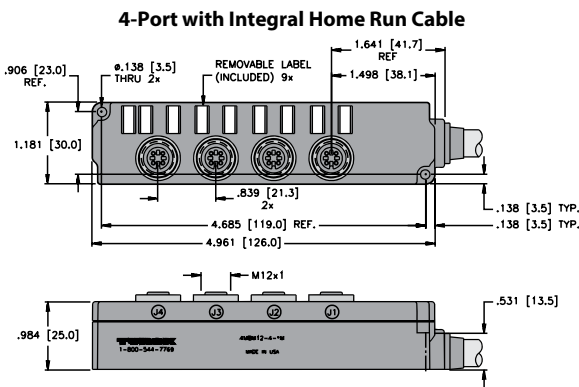
(PNP LED Version)
2 Signals per Port



Specifications

Housing:	Nylon	Temperature:	-30 °C to +80 °C (-22 °F to +176 °F)
Connectors:	TPU (M12), PETP (M16)	Protection:	IEC IP67
Contacts:	Gold plated brass.	Accessories:	KS 5/10 labels
Thread Inserts:	Nickel plated brass or stainless steel	Cable Length:	Standard length is nominal 5 meters. Other lengths available by request - Consult factory
Cable:	See table		
Recommended Splitter:	YB2-FSM 4.5/2FKM 4.5		

Dimensions



We reserve the right to make technical alterations without prior notice.

multibox®, eurofast®

Pinout

4-Pin Eurofast	5-Pin Eurofast	8-Pin Eurofast	14-Pin Versafast
Female	Female	Male	Male