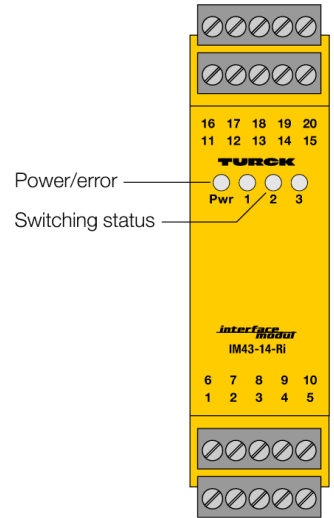
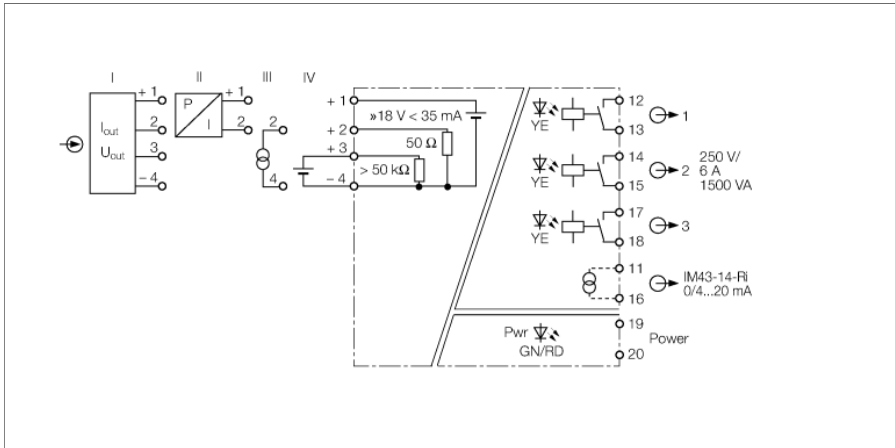


**Limit value indicator
1-channel
IM43-14-RI**



The limit value monitor IM43-14-RI is a 1-channel device and monitors currents 0/4...20 mA or voltages 0/2...10 V according to over/underrange of limit values.

The three limit values are set via the lateral coded rotary switches.

Additionally 18 V (at max. 35 mA) are provided for transmitters or sensors.

The measured values are transferred via a galvanically separated analog output to other devices.

The green LED indicates operational readiness. Three yellow LEDs indicate the switching status of the corresponding output.

The signal flow direction of the relays and the hysteresis are adjusted via DIP switches.

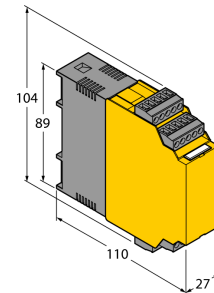
Live-zero signals are converted into dead-zero through bridging terminals 5/9. In live-zero mode the range between 4...20 mA is monitored. Any state outside this range (< 3.6 mA or > 24 mA) is signalled with an error message. In this case the power LED will illuminate red, the relays are de-energized and an error current of > 22 mA is output. If a faulty transmitter causes a short circuit, the relays are de-energized and an error current of > 22 mA is output.

- Monitors 3 limit values at a current or voltage input
- Power supply of 2-wire or 3-wire transmitters/sensors
- Input circuit: 0/4...20 mA, 0/2...10 V
- Output circuit: 0/4...20 mA, three independent limit value relays
- Limit value relay adjusted via rotary coding switches
- Hysteresis and signal flow direction of relays adjusted via DIP switch
- Universal operating voltage
- Removable terminal blocks
- Galvanic separation of input circuits, output circuits and power supply

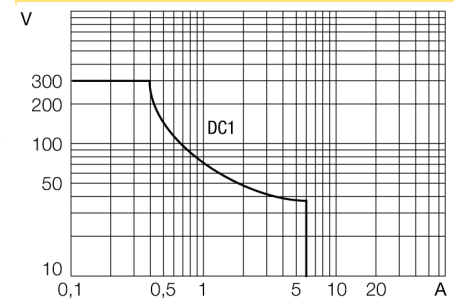
**Limit value indicator
1-channel
IM43-14-RI**

Type	IM43-14-RI
Ident-No.	7540042
Ident-No (TUSA)	M7540042
Nominal voltage	Universal voltage supply unit
Operating voltage	20...250 VAC
Frequency	40...70 Hz
Operating voltage range	20...250 VDC
Power consumption	≤ 5 W
Transmitter connection	
Supply voltage	18 VDC
Current	35 mA
Voltage input	0/2...10 VDC
Input resistance (voltage)	50 kΩ
Current input	0/4...20 mA
Input resistance (current)	50 Ω
Output circuits	
Output current	0/4...20 mA
Load resistance current output	≤ 0.6 kΩ
Output circuits (digital)	3 x relays (NO)
Relay switching voltage	≤ 250 VAC/120 VDC
Switching current per output	≤ 6 A
Switching capacity per output	≤ 1500 VA
Switching frequency	≤ 10 Hz
Contact quality	AgNi, 3μ Au
Reference temperature	23 °C
Temperature drift	≤ 0.00075 % / K
Galvanic separation	
Test voltage	2.5 kV
Rated voltage	250 V
Indication	
Operational readiness	green
Switching state	yellow
Error indication	red
Protection class	IP20
Ambient temperature	-25...+70 °C
Storage temperature	-40...80°C
Dimensions	104 x 27 x 110 mm
Weight	179 g
Mounting instruction	For mounting on DIN rail or mounting panel
Housing material	Polycarbonate/ABS
Electrical connection	4 x 5-pole removable terminal blocks, reverse polarity protected, screw connection
Terminal cross-section	1 x 2.5 mm ² / 2 x 1.5 mm ²

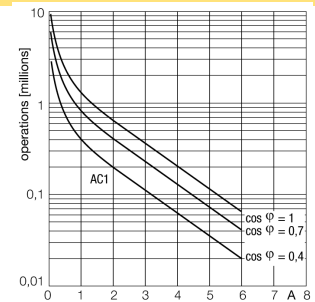
Dimensions



Load curve



Output relay electrical lifetime



**Limit value indicator
1-channel
IM43-14-RI**

Accessories

Type code	Ident-No.	Short text	Dimension drawing
IM-CC-5X2BK/2BK	7541219	Cage clamps for IM modules (non-Ex devices, width 27 mm): 4 black, 5-pin, included in delivery	