

EZ-LIGHT® TL50 Compact Tower Light



Datasheet

Multi-Color General-Purpose or Audible Indicators



Standard Audible

- Bright, uniform lighted segments at only half the height of the standard TL50 models
- Rugged, cost-effective, and easy-to-install multi-segment indicators
- Illuminated segments provide easy-to-see operator guidance and indication of equipment status

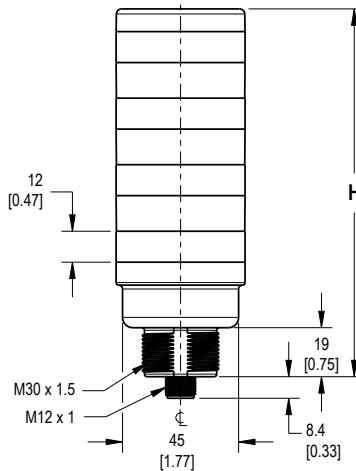
Sealed Audible

- Up to 7 stacked colors available
- Available in black or light gray housing

Omni-Directional Sealed Audible

- Audible models available with standard, sealed, or omni-directional audible element
- Compact devices are completely self-contained - no controller needed
- 12 to 30 V dc or 24 V ac operation
- No assembly required

Dimensions



# of Colors	Tower Height (H)			
	Non-Audible	Standard Audible*	Sealed Audible	Omni-Directional Sealed Audible
1	46.2 mm (1.8 in)	77.1 mm (3.1 in)	100.2 mm (4.0 in)	114.2 mm (4.48 in)
2	72.0 mm (2.83 in)	102.9 mm (4.1 in)	126.0 mm (5.0 in)	140.0 mm (5.5 in)
3	97.8 mm (3.85 in)	128.7 mm (5.1 in)	151.8 mm (6.0 in)	165.8 mm (6.5 in)
4	123.6 mm (4.9 in)	154.5 mm (6.1 in)	177.6 mm (7.0 in)	191.6 mm (7.54 in)
5	149.4 mm (5.9 in)	180.3 mm (7.1 in)	203.4 mm (8.0 in)	217.4 mm (8.56 in)
6	175.2 mm (6.9 in)	206.1 mm (8.1 in)	229.2 mm (9.0 in)	243.4 mm (9.58 in)
7	201.0 mm (7.9 in)	-	-	-

*Tower height (H) with top unscrewed approximately 3.5 mm to allow sound to escape



Models

Models—models with black housing are listed. For gray housing, add suffix C at the end of the model number (cabled models) or before the Q (QD models), for example, TL50CRAC or TL50CRACQ. All models have Bimodal (NPN or PNP) inputs.

LED Function—the first color listed is the bottom color, going up in successive order. For additional models and colors, visit Banner Engineering website at www.bannerengineering.com.

Connection—Integral QD models only are listed; mating cordset required (see [Cordsets](#) on page 4). For 150 mm (5.9 in) PVC pigtail with QD, replace Q with QP in the model number, for example, TL50CRAQP. For 2 m (6.5 ft) cable, omit suffix Q from the model number, for example, TL50CRA.

Non-Audible Models							
Model	# of LED Colors	LED Function		Connection			
TL50CRQ	1	Red		4-pin Euro Integral QD			
TL50CGRQ	2	Green, Red					
TL50CGYRQ	3	Green, Yellow, Red					
TL50CBGYRQ	4	Blue, Green, Yellow, Red		5-pin Euro Integral QD			
TL50CWBGYRQ	5	White, Blue, Green, Yellow, Red		8-pin Euro Integral QD			
Standard Audible Models							
Model	# of LED Colors	LED Function		Connection (Euro Integral QD)			
TL50CRAQ	1	Red		4-pin Euro Integral QD			
TL50CGRAQ	2	Green, Red					
TL50CGYRAQ	3	Green, Yellow, Red		5-pin Euro Integral QD			
TL50CBGYRAQ	4	Blue, Green, Yellow, Red		8-pin Euro Integral QD			
TL50CWBGYRAQ	5	White, Blue, Green, Yellow, Red					
Sealed Audible Models					# of LED Colors	LED Function	Connection
Continuous	Pulsed at 1.6 Hz	Staccato					
TL50CRALSQ	TL50CRALS3Q	TL50CRALS4Q		1	Red	4-pin Euro Integral QD	
TL50CGRALSQ	TL50CGRALS3Q	TL50CGRALS4Q		2	Green, Red		
TL50CGYRALSQ	TL50CGYRALS3Q	TL50CGYRALS4Q		3	Green, Yellow, Red	5-pin Euro Integral QD	
TL50CBGYRALSQ	TL50CBGYRALS3Q	TL50CBGYRALS4Q		4	Blue, Green, Yellow, Red	8-pin Euro Integral QD	
TL50CWBGYRALSQ	TL50CWBGYRALS3Q	TL50CWBGYRALS4Q		5	White, Blue, Green, Yellow, Red		
Omni-Directional Sealed Audible Models (99 dB max)					# of LED Colors	LED Function	Connection
Continuous	Pulsed at 1.6 Hz	Staccato					
TL50CRAOSQ	TL50CRAOS3Q	TL50CRAOS4Q		1	Red	4-pin Euro Integral QD	
TL50CGRAOSQ	TL50CGRAOS3Q	TL50CGRAOS4Q		2	Green, Red		
TL50CGYRAOSQ	TL50CGYRAOS3Q	TL50CGYRAOS4Q		3	Green, Yellow, Red	5-pin Euro Integral QD	
TL50CBGYRAOSQ	TL50CBGYRAOS3Q	TL50CBGYRAOS4Q		4	Blue, Green, Yellow, Red	8-pin Euro Integral QD	
TL50CWBGYRAOSQ	TL50CWBGYRAOS3Q	TL50CWBGYRAOS4Q		5	White, Blue, Green, Yellow, Red		
Omni-Directional Sealed Audible Models with Intensity Adjustment (95 dB max)					# of LED Colors	LED Function	Connection
Continuous	Pulsed at 1.6 Hz	Staccato					
TL50CRAOSIQ	TL50CRAOS3IQ	TL50CRAOS4IQ		1	Red	4-pin Euro Integral QD	
TL50CGRAOSIQ	TL50CGRAOS3IQ	TL50CGRAOS4IQ		2	Green, Red		
TL50CGYRAOSIQ	TL50CGYRAOS3IQ	TL50CGYRAOS4IQ		3	Green, Yellow, Red	5-pin Euro Integral QD	
TL50CBGYRAOSIQ	TL50CBGYRAOS3IQ	TL50CBGYRAOS4IQ		4	Blue, Green, Yellow, Red	8-pin Euro Integral QD	
TL50CWBGYRAOSIQ	TL50CWBGYRAOS3IQ	TL50CWBGYRAOS4IQ		5	White, Blue, Green, Yellow, Red		

Specifications

Supply Voltage and Current

12 to 30 V dc or 21 to 27 V ac

Indicators: Max. current per LED color:

- at 12 V: 135 mA
- at 24 V: 55 mA
- at 30 V: 45 mA

Standard Audible Alarm: 25 mA max. current

Sealed Audible Alarm: 35 mA max. current

Omni-Directional Sealed Audible Alarm: 45 mA max. current

Indicators

LEDs are independently selected, 1 to 7 colors depending on model

Supply Protection Circuitry:

Protected against reverse polarity and transient voltages

Input Response Time

Indicator On/Off: 10 ms (max.)

Audible Adjustment

Standard Audible Alarm: Unscrew the cover (up to 1.5 turns max.) to adjust the audible intensity. (Do not exceed 1.5 turns or the cover may detach during operation.) For max. intensity, rotate the center plug 180° counterclockwise to remove it.

Sealed Audible Alarm and Omni-Directional Sealed Audible Alarm with Intensity Adjustment: Rotate the front cover until the desired intensity is reached.

Omni-Directional Sealed Audible Alarm: No adjustment.

Connections

Integral 4-pin, 5-pin, or 8-pin M12/Euro-style QD, 150 mm (5.9 in) PVC pigtail with QD, or 2 m (6.5 ft) integral cable, depending on model

Vibration and Mechanical Shock:

All models meet Mil. Std. 202F requirements method 201A (vibration: 10 to 60 Hz max., double amplitude 0.06 in, maximum acceleration 10G). Also meets IEC 947-5-2; 30G 11 ms duration, half sine wave.

Operating Conditions:

Non-Audible: -40 °C to +50 °C (-40 °F to +122 °F)

Standard and Sealed Audible: -20 °C to +50 °C (-4 °F to +122 °F)

Max. Rel. Humidity: 95% at 50 °C (non-condensing)

Audible Alarm

Standard Audible Alarm: 2.7 KHz ± 500 Hz oscillation frequency; max. intensity 92 dB at 1 m (3.3 ft) (typical)

Sealed Audible Alarm: 2.9 KHz ± 250 Hz oscillation frequency; max. intensity 94 dB at 1 m (3.3 ft) (typical)

Omni-Directional Sealed Audible Alarm: 2.1 KHz ± 250 Hz oscillation frequency; max intensity 99 dB at 1m (3.3 ft) (typical)

Omni-Directional Sealed Audible Alarm with Intensity Adjustment: 2.1 KHz ± 250 Hz oscillation frequency; max intensity 95 dB at 1m (3.3 ft) (typical)

Construction:

Bases and Covers: ABS

Light Segment: Polycarbonate

Environmental Rating

Non-Audible and Sealed Audible: IEC IP67

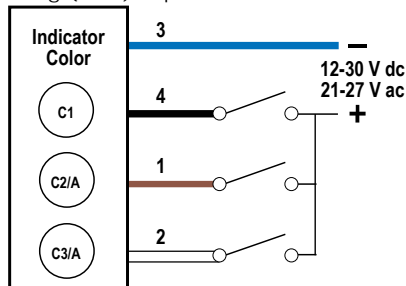
Standard Audible: IEC IP50

Certifications

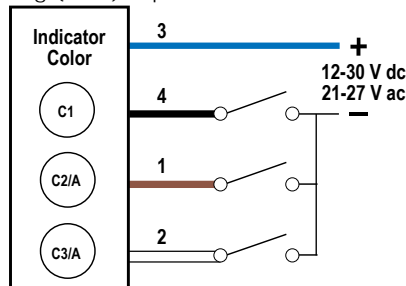


Wiring Diagram – 4-Pin Models

Sourcing (PNP) Input



Sinking (NPN) Input



Key:

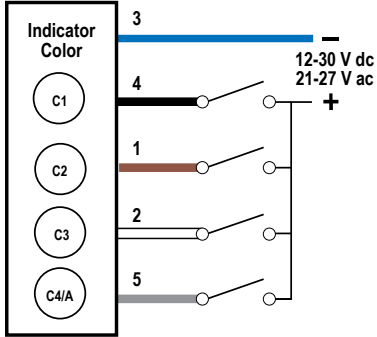
- 1 = Brown
- 2 = White
- 3 = Blue
- 4 = Black

- C1 = Color 1
- C2 = Color 2
- C3 = Color 3
- A = Audible

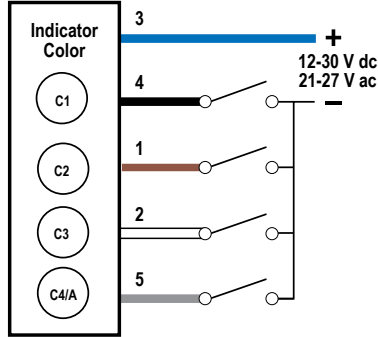
Pins 1 and 2 can activate the corresponding color or the audible function, if available.

Wiring Diagram – 5-Pin Models

Sourcing (PNP) Input



Sinking (NPN) Input



Key:

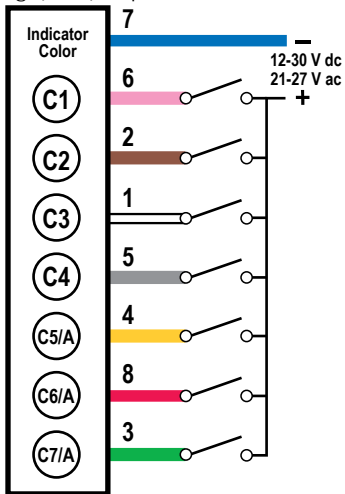
- 1 = Brown
- 2 = White
- 3 = Blue
- 4 = Black
- 5 = Gray

- C1 = Color 1
- C2 = Color 2
- C3 = Color 3
- C4 = Color 4
- A = Audible

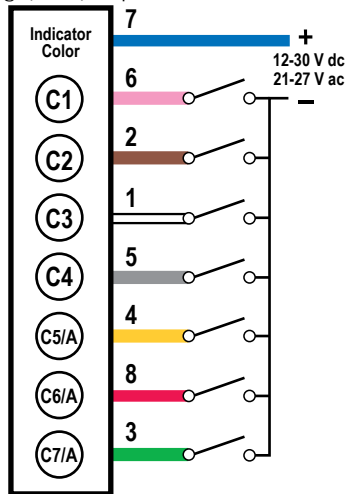
Pin 5 can activate the corresponding color or the audible function, if available.

Wiring Diagram – 8-Pin Models

Sourcing (PNP) Input



Sinking (NPN) Input



Key:

- 1 = White
- 2 = Brown
- 3 = Green
- 4 = Yellow
- 5 = Gray
- 6 = Pink
- 7 = Blue
- 8 = Red

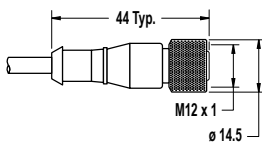
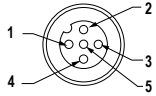
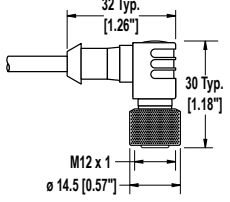
- C1 = Color 1
- C2 = Color 2
- C3 = Color 3
- C4 = Color 4
- C5 = Color 5
- C6 = Color 6
- C7 = Color 7
- A = Audible

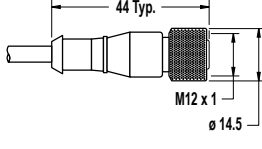
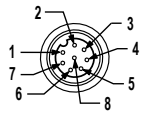
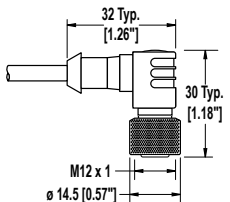
Pins 3, 4 and 8 can activate the corresponding color or the audible function, if available.

Accessories

Cordsets

4-Pin Threaded M12/Euro-Style Cordsets				
Model	Length	Style	Dimensions	Pinout (Female)
MQDC-406	1.83 m (6 ft)	Straight		
MQDC-415	4.57 m (15 ft)			
MQDC-430	9.14 m (30 ft)			
MQDC-450	15.2 m (50 ft)			
				1 = Brown 2 = White 3 = Blue 4 = Black

5-Pin Threaded M12/Euro-Style Cordsets (Single Ended)				
Model	Length	Style	Dimensions	Pinout (Female)
MQDC1-501.5	0.50 m (1.5 ft)	Straight		 <p>1 = Brown 2 = White 3 = Blue 4 = Black 5 = Gray</p>
MQDC1-506	1.83 m (6 ft)			
MQDC1-515	4.57 m (15 ft)			
MQDC1-530	9.14 m (30 ft)			
MQDC1-506RA	1.83 m (6 ft)	Right-Angle		
MQDC1-515RA	4.57 m (15 ft)			
MQDC1-530RA	9.14 m (30 ft)			

8-Pin Threaded M12/Euro-Style Cordsets with Open-Shield				
Model	Length	Style	Dimensions	Pinout (Female)
MQDC2S-806	1.83 m (6 ft)	Straight		 <p>1 = White 2 = Brown 3 = Green 4 = Yellow 5 = Gray 6 = Pink 7 = Blue 8 = Red</p>
MQDC2S-815	4.57 m (15 ft)			
MQDC2S-830	9.14 m (30 ft)			
MQDC2S-850	15.2 m (50 ft)			
MQDC2S-806RA	1.83 m (6 ft)	Right-Angle		
MQDC2S-815RA	4.57 m (15 ft)			
MQDC2S-830RA	9.14 m (30 ft)			
MQDC2S-850RA	15.2 m (50 ft)			

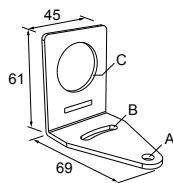
Mounting Brackets

All measurements are in mm

SMB30A

- Right-angle bracket with curved slot for versatile orientation
- Clearance for M6 (¼ in) hardware
- Mounting hole for 30 mm sensor
- 12-ga. stainless steel

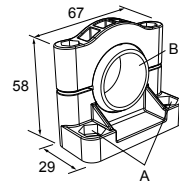
Hole center spacing: A to B=40
Hole size: A=ø 6.3, B= 27.1 x 6.3, C=ø 30.5



SMB30SC

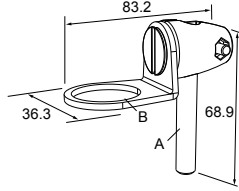
- Swivel bracket with 30 mm mounting hole for sensor
- Black reinforced thermoplastic polyester
- Stainless steel mounting and swivel locking hardware included

Hole center spacing: A=ø 50.8
Hole size: A=ø 7.0, B=ø 30.0



SMB30FA

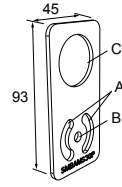
- Swivel bracket with tilt and pan movement for precise adjustment
- Mounting hole for 30 mm sensor
- 12-ga. 304 stainless steel
- Easy sensor mounting to extrude rail T-slot
- Metric and inch size bolt available



Bolt thread: SMB30FA, A= 3/8 - 16 x 2 in; SMB30FAM10, A= M10 - 1.5 x 50
 Hole size: B= ø 30.1

SMBAMS30P

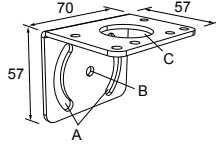
- Flat SMBAMS series bracket
- 30 mm hole for mounting sensors
- Articulation slots for 90° + rotation
- 12-ga. 300 series stainless steel



Hole center spacing: A=26.0, A to B=13.0
 Hole size: A=26.8 x 7.0, B=ø 6.5, C=ø 31.0

SMB30MM

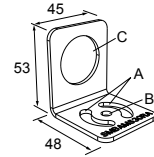
- 12-ga. stainless steel bracket with curved mounting slots for versatile orientation
- Clearance for M6 (¼ in) hardware
- Mounting hole for 30 mm sensor



Hole center spacing: A = 51, A to B = 25.4
 Hole size: A = 42.6 x 7, B = ø 6.4, C = ø 30.1

SMBAMS30RA

- Right-angle SMBAMS series bracket
- 30 mm hole for mounting sensors
- Articulation slots for 90° + rotation
- 12-ga. (2.6 mm) cold-rolled steel




Hole center spacing: A=26.0, A to B=13.0
 Hole size: A=26.8 x 7.0, B=ø 6.5, C=ø 31.0

LMB Sealed Right-Angle Bracket

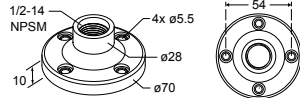
Model	Description	Construction	
LMB30RA	Direct-Mount Models: Bracket kit with base, 30 mm adapter, set screw, fasteners, o-rings, and gaskets	Black polycarbonate	
LMB30RAC		Gray polycarbonate	
LMBE12RA	Pipe-Mount Models: Bracket kit with base, ½-14 pipe adapter, set screw, fasteners, o-rings, and gaskets. For use with stand-off pipe (listed and sold separately)	Black polycarbonate	
LMBE12RAC		Gray polycarbonate	

Elevated Mount System

Model	Features		Components
SA-M30TE12 - Black Acetal	<ul style="list-style-type: none"> • Streamlined black acetal or white UHMW stand-off pipe adapter/cover • Connects between 30 mm light base and ½ in. NPSM/DN15 pipe • Mounting hardware included 		
SA-M30TE12C - White UHMW			
Polished 304 Stainless Steel	Black Anodized Aluminum	Clear Anodized Aluminum	<ul style="list-style-type: none"> • Elevated-use stand-off pipe (½ in. NPSM/DN15) • Polished 304 stainless steel, black anodized aluminum, or clear anodized aluminum surface • ½ in. NPT thread at both ends • Compatible with most industrial environments
SOP-E12-150SS 150 mm (6 in) long	SOP-E12-150A 150 mm (6 in) long	SOP-E12-150AC 150 mm (6 in) long	
SOP-E12-300SS 300 mm (12 in) long	SOP-E12-300A 300 mm (12 in) long	SOP-E12-300AC 300 mm (12 in) long	

Model			Features	Components
SOP-E12-900SS 900 mm (36 in) long	SOP-E12-900A 900 mm (36 in) long	SOP-E12-900AC 900 mm (36 in) long		
SA-E12M30 - Black Acetal			<ul style="list-style-type: none"> Streamlined black acetal or white UHMW mounting base adapter/cover Connects between ½ in. NPSM/DN15 pipe and 30 mm (1-3/16 in) drilled hole Mounting hardware included 	
SA-E12M30C - White UHMW				

Pipe Mounting Flange

Pipe Mounting Flange			
Model	Features	Construction	
SA-F12	<ul style="list-style-type: none"> For use elevated stand-off pipes (½ in. NPSM/DN15) M5 mounting hardware and nitrile gasket included 	Die-cast zinc base with black paint	

Banner Engineering Corp Limited Warranty

Banner Engineering Corp. warrants its products to be free from defects in material and workmanship for one year following the date of shipment. Banner Engineering Corp. will repair or replace, free of charge, any product of its manufacture which, at the time it is returned to the factory, is found to have been defective during the warranty period. This warranty does not cover damage or liability for misuse, abuse, or the improper application or installation of the Banner product.

THIS LIMITED WARRANTY IS EXCLUSIVE AND IN LIEU OF ALL OTHER WARRANTIES WHETHER EXPRESS OR IMPLIED (INCLUDING, WITHOUT LIMITATION, ANY WARRANTY OF MERCHANTABILITY OR FITNESS FOR A PARTICULAR PURPOSE), AND WHETHER ARISING UNDER COURSE OF PERFORMANCE, COURSE OF DEALING OR TRADE USAGE.

This Warranty is exclusive and limited to repair or, at the discretion of Banner Engineering Corp., replacement. IN NO EVENT SHALL BANNER ENGINEERING CORP. BE LIABLE TO BUYER OR ANY OTHER PERSON OR ENTITY FOR ANY EXTRA COSTS, EXPENSES, LOSSES, LOSS OF PROFITS, OR ANY INCIDENTAL, CONSEQUENTIAL OR SPECIAL DAMAGES RESULTING FROM ANY PRODUCT DEFECT OR FROM THE USE OR INABILITY TO USE THE PRODUCT, WHETHER ARISING IN CONTRACT OR WARRANTY, STATUTE, TORT, STRICT LIABILITY, NEGLIGENCE, OR OTHERWISE.

Banner Engineering Corp. reserves the right to change, modify or improve the design of the product without assuming any obligations or liabilities relating to any product previously manufactured by Banner Engineering Corp.