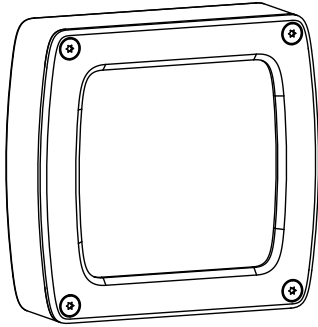


# WLC90 Heavy Duty LED Light



Banner's WLC90 Heavy Duty Lights are designed to operate in harsh environments and withstand washdown and spray from water as well as many chemicals including coolants and detergents. They are compact and bright, making them an excellent choice for machining centers and food processing equipment.

- Oil, chemical, and water resistant with IP67, IP68g, and IP69K ratings
- Wide operating temperature range with an internal monitoring circuit that dims the LEDs to a safe level at extreme temperatures
- Three lens choices to suit many application needs
- Pan-and-tilt brackets for versatile mounting to direct the light in any direction
- Models have three discrete intensity level settings

Models	Lens Angle	Connection	Window
WLC90WL8Q	± 8 degrees †	Integral 4-Pin Euro QD Side Exit	Polycarbonate
WLC90WL15Q	± 15 degrees		
WLC90WL30Q	± 30 degrees		
WLC90WL8RQ	± 8 degrees †	Integral 4-Pin Euro QD Rear Exit	
WLC90WL15RQ	± 15 degrees		
WLC90WL30RQ	± 30 degrees		
WLC90WGL8Q	± 8 degrees †	Integral 4-Pin Euro QD Side Exit	Borosilicate Glass
WLC90WGL15Q	± 15 degrees		
WLC90WGL30Q	± 30 degrees		
WLC90WGL8RQ	± 8 degrees †	Integral 4-Pin Euro QD Rear Exit	
WLC90WGL15RQ	± 15 degrees		
WLC90WGL30RQ	± 30 degrees		

The listed models have 4-pin integral QDs. To order the 2 m (6.5 ft) cable models, omit the suffix "Q" from the model number. For example, WLC90WL8. Models with a QD connector require a mating cable.



**CAUTION:**

† Risk Group 2: Possibly hazardous optical radiation emitted from this product.

Do not stare at the operating lamp. May be harmful to the eyes. Risk Group 2 (RG 2) products generally do not pose a realistic optical hazard if aversion responses limit the exposure duration or where lengthy exposures are unrealistic.

- IEC 62471



## Specifications

### Supply Voltage

Operating Voltage: 12–30V dc

### Max. Current

850 mA at 12V dc

410 mA at 24V dc

330 mA at 30V dc

Max. input power: 10.2 Watts

### Typical Current

720 mA at 12V dc

336 mA at 24V dc

269 mA at 30V dc

### Supply Protection Circuitry

Protected against reverse polarity and transient voltages

### Construction

Nickel plated aluminum housing, polycarbonate or borosilicate glass window

### Connections

Integral 4-pin M12/Euro-style QD (4-pin connecting cordset required for QD models)

### Certifications

Approvals are pending

### Operating Temperature

–40 to 70 °C (–40 to 158 °F)

Light output begins to decrease above 50 °C (122 °F) and will be approximately 33% lower at 70 °C (158 °F)

### Light Characteristics

Color Temperature (CCT): 6000–7100 K

Color: Cool White

Lumen Output at 25 °C (77 °F) typical: 700

Luminous efficacy at 25 °C (77 °F) typical: 87 lumens per watt at 24V dc

### Spacing Criterion

8 degree: 0.28

15 degree: 0.52

30 degree: 0.90

### Environmental Rating

IEC IP67/IP68g / IP69K per DIN 40050

### Storage Temperature

–40 to +70 °C (–40 to +158 °F)

### Vibration and Mechanical Shock

All models meet Mil. Std. 202F requirements method 201A (vibration: 10 to 60 Hz max., double amplitude 0.06", maximum acceleration 10G). Also meets IEC 947-5-2; 30G 11 ms duration, half sine wave.

## Spacing Criteria (SC)

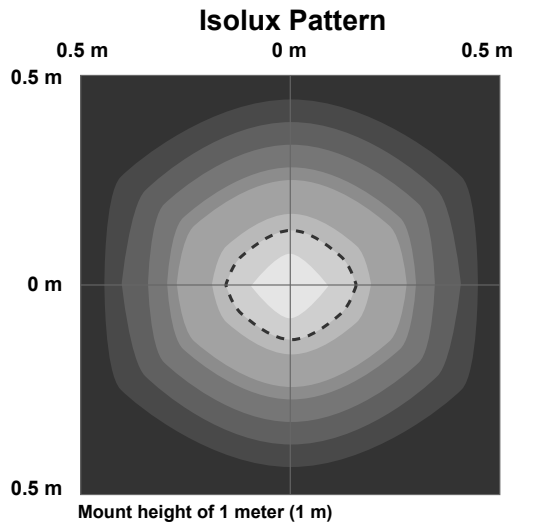
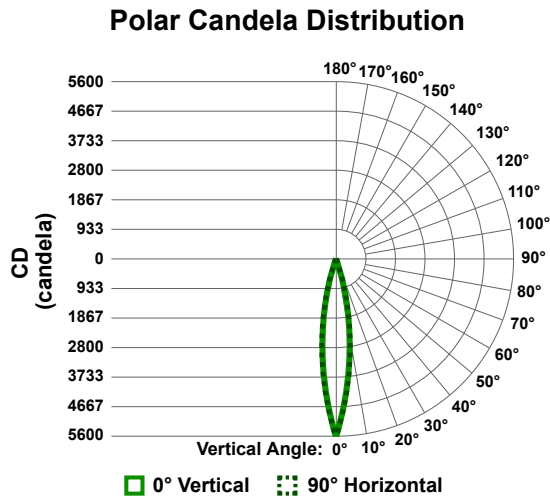
The spacing criteria is the fixture-spacing-to-mounting-height ratio and aids in laying out a pattern of fixtures. Multiply the spacing criteria by the mounting height to get the maximum fixture spacing that still provides even illumination (no shadowing between fixtures).

Luminaire Spacing = SC × Height to Illuminated Plane

The mounting height is the distance from the fixture to the surface you are lighting.

## Light Characteristics

### Max Lux at 1 M (L8 Lens)



#### Illuminance at a Distance

	Center Beam (lux)	Beam Width (m)	
	201,132 lux	0.0 m	0.0 m
0.2 m	50,283 lux	0.1 m	0.1 m
0.3 m	22,348 lux	0.1 m	0.1 m
0.5 m	12,571 lux	0.2 m	0.2 m
0.7 m	8,045 lux	0.2 m	0.2 m
0.8 m	5,587 lux	0.3 m	0.3 m
1.0 m			

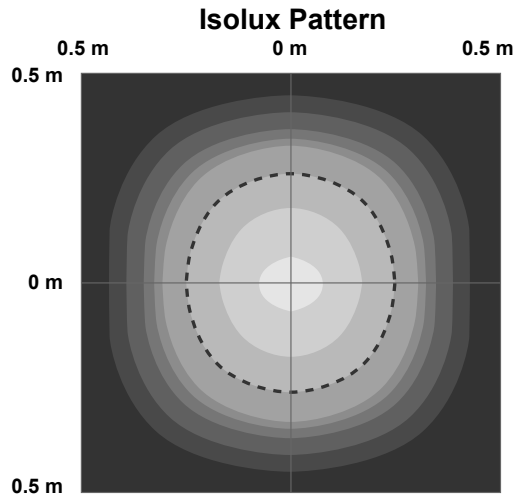
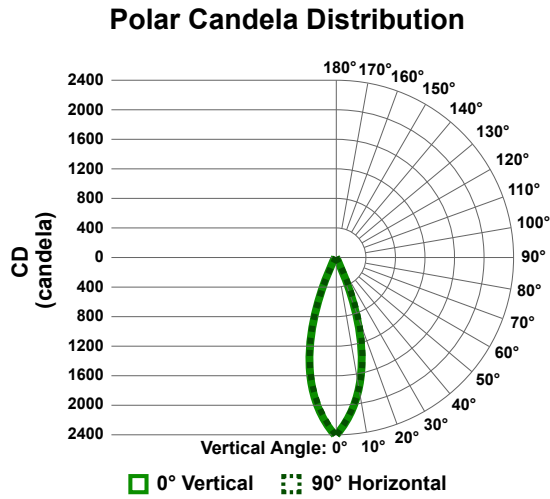
Vert.    Horiz.

Vertical Spread: 14.9°  
 Horizontal Spread: 16.4°



Horizontal = Connection on the bottom.

Max Lux at 1 M (L15 Lens)



### Illuminance at a Distance

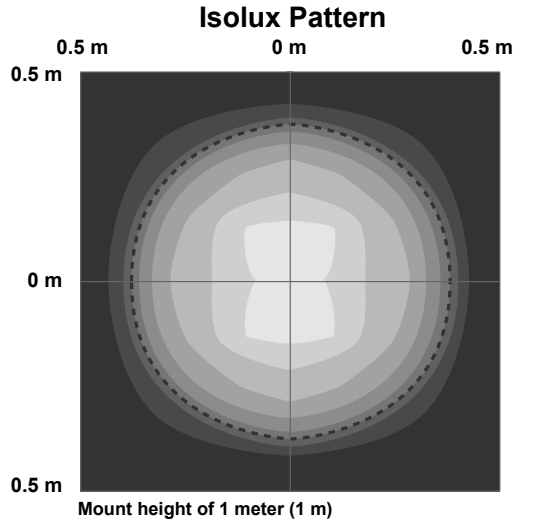
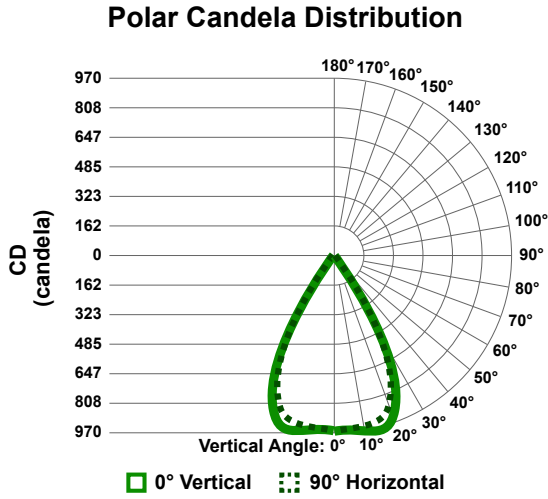
Distance (m)	Center Beam (lux)		Beam Width (m)	
	Vert.	Horiz.	Vert.	Horiz.
0.2 m	83,952 lux	20,988 lux	0.1 m	0.1 m
0.3 m	20,988 lux	9,328 lux	0.2 m	0.2 m
0.5 m	5,247 lux	3,358 lux	0.4 m	0.4 m
0.7 m	3,358 lux	2,332 lux	0.5 m	0.5 m
0.8 m	2,332 lux		0.5 m	0.5 m
1.0 m				

▲ Vertical Spread: 30.6°  
 ▲ Horizontal Spread: 30.6°



Horizontal = Connection on the bottom.

**Max Lux at 1 M (L30 Lens)**



**Illuminance at a Distance**

	Center Beam (lux)	Beam Width (m)	
0.2 m	33,480 lux	0.2 m	0.2 m
0.3 m	8,370 lux	0.3 m	0.3 m
0.5 m	3,720 lux	0.5 m	0.5 m
0.7 m	2,093 lux	0.6 m	0.6 m
0.8 m	1,339 lux	0.8 m	0.8 m
1.0 m	930 lux	0.9 m	0.9 m

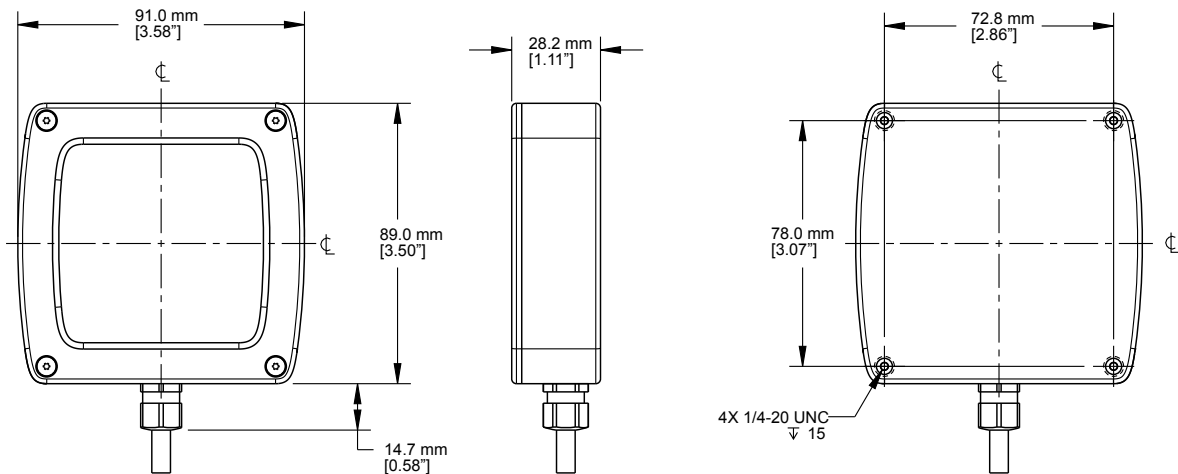
Vert.   Horiz.

▲ Vertical Spread: 49.7°  
 ▲ Horizontal Spread: 49.8°

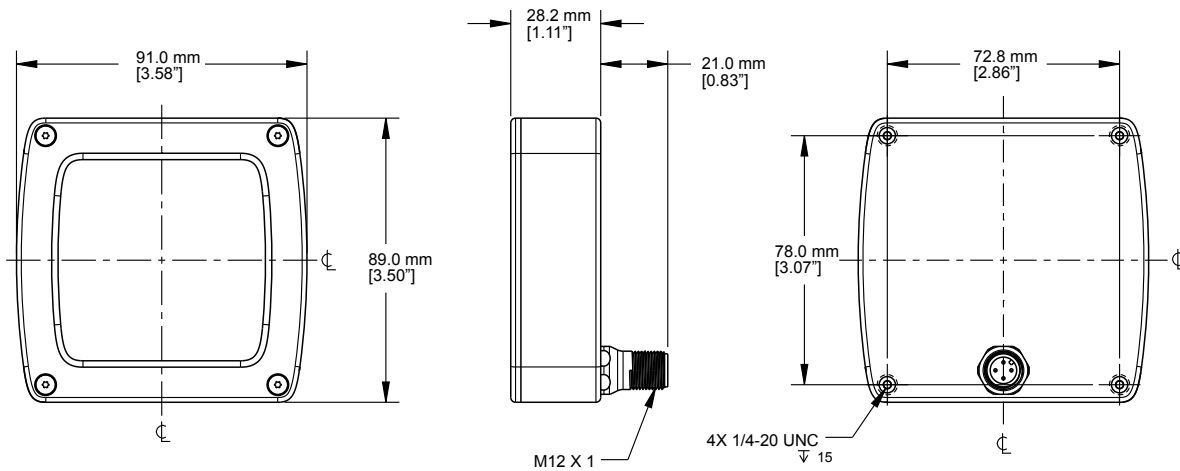
Horizontal = Connection on the bottom.

**Dimensions**

**WLC90 Side Exit Models**



**WLC90 Rear Exit Models (WLC90...RQ)**






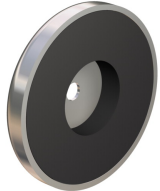
**Hookups**

	Pins	Color	Color/Connection
	1	brown	12-30V dc
	3	blue	dc common
	4	black	Connect to 12-30V dc for 66% max. intensity
	2	white	Connect to 12-30V dc for 33% max intensity

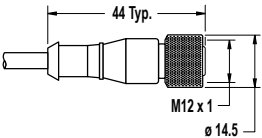
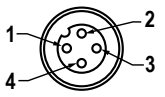
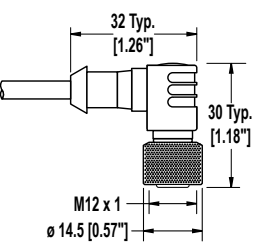
For maximum intensity, leave the white and black wires floating or connected to common.

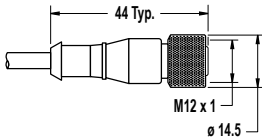
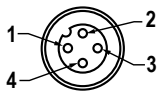
**Accessories**

**Brackets**

<p><b>LMBWLC90PT</b></p> <ul style="list-style-type: none"> <li>• Pan and tilt bracket</li> <li>• 300 series stainless steel</li> <li>• Hardware for connecting to light included</li> </ul> 	<p><b>SMBAMS70AS</b></p> <ul style="list-style-type: none"> <li>• 316 stainless steel right-angle bracket</li> <li>• Articulated slots for 90+ degrees rotation</li> <li>• Four 1/4-20 stainless steel screws included</li> </ul> 
<p><b>SMBFLXMAGR</b></p> <ul style="list-style-type: none"> <li>• Protective magnet cover prevents scratches to painted surfaces</li> </ul> 	<p><b>SMBMAG3</b></p> <ul style="list-style-type: none"> <li>• 3.2 inch diameter magnet with 95 lbs pull force</li> <li>• Use with LMBWLC90PT or SMBAMS70AS bracket</li> <li>• Hardware for mounting to bracket included</li> </ul> 

## Cordsets

4-Pin Threaded M12/Euro-Style Cordsets				
Model	Length	Style	Dimensions	Pinout
MQDC-406	1.83 m (6 ft)	Straight		
MQDC-415	4.57 m (15 ft)			
MQDC-430	9.14 m (30 ft)			
MQDC-450	15.2 m (50 ft)			
MQDC-406RA	1.83 m (6 ft)	Right-Angle		1 = Brown 2 = White 3 = Blue 4 = Black
MQDC-415RA	4.57 m (15 ft)			
MQDC-430RA	9.14 m (30 ft)			
MQDC-450RA	15.2 m (50 ft)			

4-Pin Threaded M12/Euro-Style Cordsets—Washdown, Stainless Steel				
Model	Length	Style	Dimensions	Pinout
MQDC-WDSS-0406	1.83 m (6 ft)	Straight		
MQDC-WDSS-0415	4.57 m (15 ft)			
MQDC-WDSS-0430	9.14 m (30 ft)			
				1 = Brown 2 = White 3 = Blue 4 = Black

## Banner Engineering Corp Limited Warranty

Banner Engineering Corp. warrants its products to be free from defects in material and workmanship for one year following the date of shipment. Banner Engineering Corp. will repair or replace, free of charge, any product of its manufacture which, at the time it is returned to the factory, is found to have been defective during the warranty period. This warranty does not cover damage or liability for misuse, abuse, or the improper application or installation of the Banner product.

**THIS LIMITED WARRANTY IS EXCLUSIVE AND IN LIEU OF ALL OTHER WARRANTIES WHETHER EXPRESS OR IMPLIED (INCLUDING, WITHOUT LIMITATION, ANY WARRANTY OF MERCHANTABILITY OR FITNESS FOR A PARTICULAR PURPOSE), AND WHETHER ARISING UNDER COURSE OF PERFORMANCE, COURSE OF DEALING OR TRADE USAGE.**

This Warranty is exclusive and limited to repair or, at the discretion of Banner Engineering Corp., replacement. **IN NO EVENT SHALL BANNER ENGINEERING CORP. BE LIABLE TO BUYER OR ANY OTHER PERSON OR ENTITY FOR ANY EXTRA COSTS, EXPENSES, LOSSES, LOSS OF PROFITS, OR ANY INCIDENTAL, CONSEQUENTIAL OR SPECIAL DAMAGES RESULTING FROM ANY PRODUCT DEFECT OR FROM THE USE OR INABILITY TO USE THE PRODUCT, WHETHER ARISING IN CONTRACT OR WARRANTY, STATUTE, TORT, STRICT LIABILITY, NEGLIGENCE, OR OTHERWISE.**

Banner Engineering Corp. reserves the right to change, modify or improve the design of the product without assuming any obligations or liabilities relating to any product previously manufactured by Banner Engineering Corp.



more sensors, more solutions