

EZ-LIGHT® CL50 Column Light

Multi-Color General Purpose or Audible Indicators



- Rugged, cost-effective, and easy-to-install multi-color indicators
- Illumination provides easy-to-see operator guidance and equipment status indication
- 1-, 2-, or 3-color models available
- Available in black or light gray housing
- Audible models available with standard, sealed, or omni-directional audible element
- Continuous, pulsed, and staccato tones available
- 18 to 30V dc operation
- Compact devices are completely self-contained - no controller needed
- Immune to EMI and RFI interference
- No assembly required

Non-Audible Models

Models ¹	# of LED Colors	LED Function ² - Lights Independently Selected			Connection ³	Inputs
		Color 1	Color 2	Color 3		
CL50GXXPQ	1	Green	-	-	4-pin Euro integral QD connector	PNP
CL50GXXNQ		Green	-	-		NPN
CL50RXRPQ		-	Red	-		PNP
CL50RXRNQ		-	Red	-		NPN
CL50GRXPQ	2	Green	Red	-		PNP
CL50GRXNQ		Green	Red	-		NPN
CL50GRYPQ	3	Green	Red	Yellow		PNP
CL50GRYNQ		Green	Red	Yellow		NPN

Audible Models

Standard Audible Models ¹	# of LED Colors	LED Function ² - Lights Independently Selected			Connection ³	Inputs
		Color 1	Color 2	Color 3		
CL50GXXAPQ	1	Green	-	-	5-pin Euro integral QD connector	PNP
CL50GXXANQ		Green	-	-		NPN
CL50RXRAPQ		-	Red	-		PNP
CL50RXRANQ		-	Red	-		NPN
CL50GRXAPQ	2	Green	Red	-		PNP
CL50GRXANQ		Green	Red	-		NPN
CL50GRYAPQ	3	Green	Red	Yellow		PNP
CL50GRYANQ		Green	Red	Yellow		NPN



NOTE: Sealed Audible and Omni-Directional models are listed on the next page.

¹ Models with black housing are listed. For gray housing, add suffix **C** at the end of the model number (cabled models) or before the **Q** (QD models), for example, **CL50GXXPC** or **CL50GXXPCQ**.

² Contact Banner Engineering for other colors and color combinations.

³ Integral QD models only are listed; mating cordset required (see [Cordsets](#) on page 4).

- For 150 mm (5.9 in) PVC pigtail with QD, replace **Q** with **QP** in the model number, for example, **CL50GXXQP**.
- For 2 m (6.5 ft) cable, omit suffix **Q** from the model number, for example, **CL50GXXP**.

Sealed Audible Models ⁴			# of LED Colors	LED Function ⁵ - Lights Independently Selected			Connection ⁶	Inputs
Continuous	Pulsed at 1.6 Hz	Staccato		Color 1	Color 2	Color 3		
CL50GXXALSPQ	CL50GXXALS3PQ	CL50GXXALS4PQ	1	Green	-	-	5-pin Euro integral QD connector	PNP
CL50GXXALS3PQ	CL50GXXALS3NQ	CL50GXXALS4NQ		Green	-	-		NPN
CL50XRXALSPQ	CL50XRXALS3PQ	CL50XRXALS4PQ		-	Red	-		PNP
CL50XRXALS3PQ	CL50XRXALS3NQ	CL50XRXALS4NQ		-	Red	-		NPN
CL50GRXALSPQ	CL50GRXALS3PQ	CL50GRXALS4PQ	2	Green	Red	-		PNP
CL50GRXALS3PQ	CL50GRXALS3NQ	CL50GRXALS4NQ		Green	Red	-		NPN
CL50GRYALSPQ	CL50GRYALS3PQ	CL50GRYALS4PQ	3	Green	Red	Yellow		PNP
CL50GRYALS3PQ	CL50GRYALS3NQ	CL50GRYALS4NQ		Green	Red	Yellow		NPN

Omni-Directional Sealed Audible Models ⁴			# of LED Colors	LED Function ⁵ - Lights Independently Selected			Connection ⁶	Inputs
Continuous	Pulsed at 1.6 Hz	Staccato		Color 1	Color 2	Color 3		
CL50GXXAOSPQ	CL50GXXAOS3PQ	CL50GXXAOS4PQ	1	Green	-	-	5-pin Euro integral QD connector	PNP
CL50GXXAOS3PQ	CL50GXXAOS3NQ	CL50GXXAOS4NQ		Green	-	-		NPN
CL50XRXAOSPQ	CL50XRXAOS3PQ	CL50XRXAOS4PQ		-	Red	-		PNP
CL50XRXAOS3PQ	CL50XRXAOS3NQ	CL50XRXAOS4NQ		-	Red	-		NPN
CL50GRXAOSPQ	CL50GRXAOS3PQ	CL50GRXAOS4PQ	2	Green	Red	-		PNP
CL50GRXAOS3PQ	CL50GRXAOS3NQ	CL50GRXAOS4NQ		Green	Red	-		NPN
CL50GRYAOSPQ	CL50GRYAOS3PQ	CL50GRYAOS4PQ	3	Green	Red	Yellow		PNP
CL50GRYAOS3PQ	CL50GRYAOS3NQ	CL50GRYAOS4NQ		Green	Red	Yellow		NPN

Specifications

Supply Voltage and Current

18 to 30V dc (10% max. ripple)

Indicators: at 100 mA max. current at 18V dc; 70 mA max. current at 30V dc

Standard Audible Alarm: 25 mA max. current

Sealed Audible Alarm: 35 mA max. current

Omni-Directional Sealed Audible Alarm: 45 mA max. current

Indicators

Green, Red, Yellow; 1-3 colors, depending on model

LEDs or audible alarm are independently selected

Supply Protection Circuitry:

Protected against reverse polarity and transient voltage

Input Response Time

Indicator ON/OFF: 10 ms (max.)

Audible Adjustment

Standard Audible Alarm: Unscrew the cover (up to 1.5 turns max.) to adjust the audible intensity. Do not exceed 1.5 turns or the cover may detach during operation. For max. intensity, rotate the center plug 180° counterclockwise to remove it

Sealed Audible Alarm: Rotate the front cover until the desired intensity is reached

Omni-Directional Sealed Audible Alarm: No adjustment

Operating Conditions:

Non-Audible: -40 °C to +50 °C (-40 °F to +122 °F)

Standard and Sealed Audible: -20 °C to +50 °C (-4 °F to +122 °F)

Max. Rel. Humidity: 95% at +50 °C (non-condensing)

Audible Alarm

Audible measurements are made in the direction sound exits the device. For standard audible models, this is the top of the unit (when mounted vertically, sound is directed toward the ceiling). For sealed audible models, sound exits the vented openings in the side of the unit, which should be oriented so that the sound is directed toward the machine operator(s). In environments with high ambient noise levels or high ceilings that absorb sound, the sealed or omni-directional models are recommended.

Standard Audible Alarm: 2.7 KHz ± 500 Hz oscillation frequency; max. intensity 92 db at 1 meter (typical)

Sealed Audible Alarm: 2.9 KHz ± 250 Hz oscillation frequency; max. intensity 94 db at 1 meter (3.3 ft) (typical)

Omni-Directional Sealed Audible Alarm: 2.1 KHz ± 250 Hz oscillation frequency; max intensity 99 db at 1m (3.3 ft) (typical)

Construction:

Bases and Covers: ABS

Light Segment: Polycarbonate

⁴ Models with black housing are listed. For gray housing, add **C** at the end of the model number (cabled models) or before the **Q** (QD models), for example, **CL50GXXAPC** or **CL50GXXAPCQ**.

⁵ Contact Banner Engineering for other colors and color combinations.

⁶ Integral QD models only are listed; mating cordset required (see [Cordsets](#) on page 4).

- For 150 mm (5.9 in) PVC pigtail with QD, replace **Q** with **QP** in the model number, for example, **CL50GXXAPQP**.
- For 2 m (6.5 ft) cable, omit suffix **Q** from the model number, for example, **CL50GXXAP**.

Connections

Integral 4-pin or 5-pin M12/Euro-style QD, 150 mm PVC pigtail with QD, or 2 m (6.5 ft) integral cable, depending on model

Vibration and Mechanical Shock:

All models meet Mil. Std. 202F requirements method 201A (vibration: 10 to 60 Hz max., double amplitude 0.06 in, maximum acceleration 10G). Also meets IEC 947-5-2; 30G 11 ms duration, half sine wave.

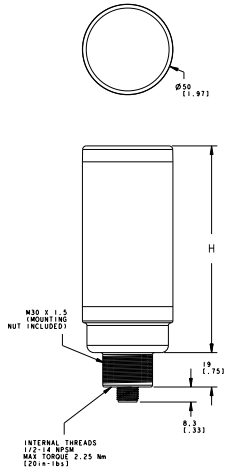
Environmental Rating

Non-Audible and Sealed Audible: IEC IP67
Standard Audible: IEC IP50

Certifications

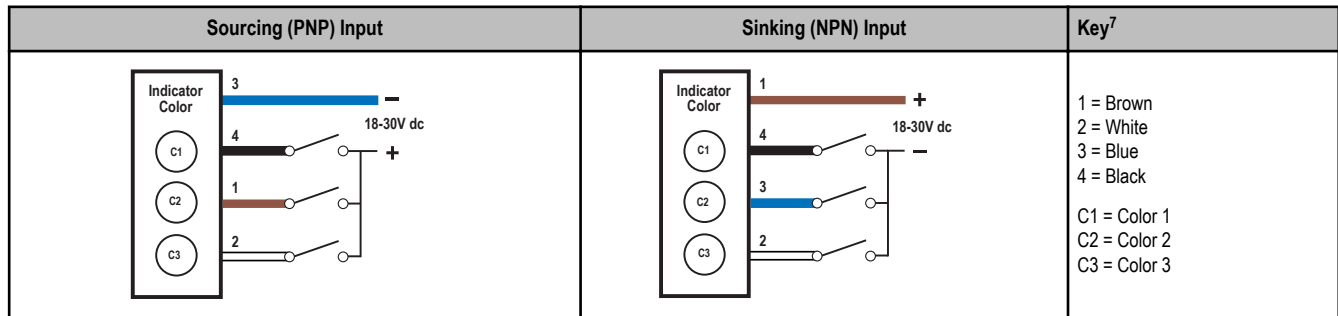


Dimensions

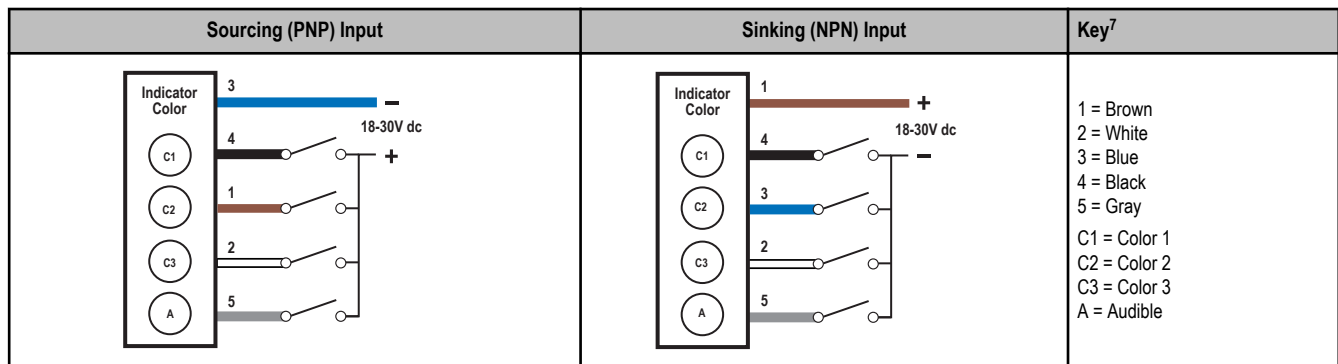


Column Light Height (H)			
Non-Audible	Standard Audible*	Sealed Audible	Omni-Directional Sealed Audible
114.2mm (4.5 in)	145.3mm (5.7 in)	168.2mm (6.6 in)	182.2mm (7.2 in)
*Column Light (H) with top unscrewed approximately 3.5 mm to allow sound to escape			

Wiring – Non-Audible Models



Wiring – Audible Models



⁷ If there is an X in the model number, that corresponding wire will not be used

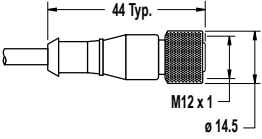
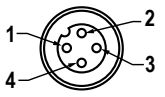
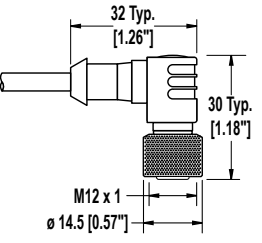
Functional Truth Table: PNP Models

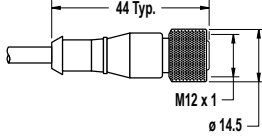
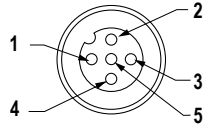
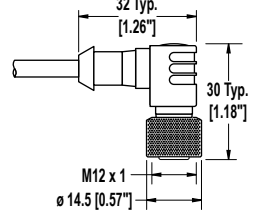
LED Function	Pin 4 (Black Wire)	Pin 1 (Brown Wire)	Pin 2 (White Wire)	
Color 1 ON	+Vdc			<ul style="list-style-type: none"> Pin 3 (blue wire) connected to ground (-) Alarm models: Alarm function is independent of light functions
Color 2 ON		+Vdc		
Color 3 ON			+Vdc	
Color 3 ON (color 3 inhibits color 1)	+Vdc		+Vdc	
Color 2 ON (color 2 inhibits color 1)	+Vdc	+Vdc		
Color 3 ON (color 3 inhibits color 2)		+Vdc	+Vdc	
Color 3 ON (color 3 inhibits colors 1 & 2)	+Vdc	+Vdc	+Vdc	

Functional Truth Table: NPN Models

LED Function	Pin 4 (Black Wire)	Pin 3 (Blue Wire)	Pin 2 (White Wire)	
Color 1 ON	-Vdc			<ul style="list-style-type: none"> Pin 1 (brown wire) connected to +Vdc Alarm models: Alarm function is independent of light functions
Color 2 ON		-Vdc		
Color 3 ON			-Vdc	
Color 3 ON (color 3 inhibits color 1)	-Vdc		-Vdc	
Color 2 ON (color 2 inhibits color 1)	-Vdc	-Vdc		
Color 3 ON (color 3 inhibits color 2)		-Vdc	-Vdc	
Color 3 ON (color 3 inhibits colors 1 & 2)	-Vdc	-Vdc	-Vdc	

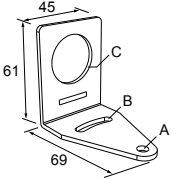
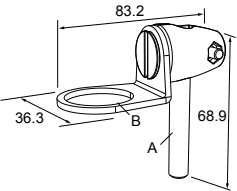
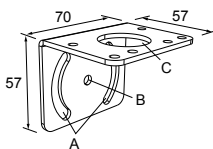
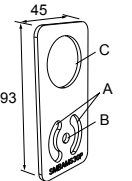
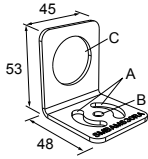
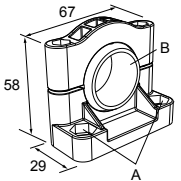
Accessories**Cordsets**

4-Pin Threaded M12/Euro-Style Cordsets				
Model	Length	Style	Dimensions	Pinout
MQDC-406	1.83 m (6 ft)	Straight		 <p>1 = Brown 2 = White 3 = Blue 4 = Black</p>
MQDC-415	4.57 m (15 ft)			
MQDC-430	9.14 m (30 ft)			
MQDC-450	15.2 m (50 ft)			
MQDC-406RA	1.83 m (6 ft)	Right-Angle		
MQDC-415RA	4.57 m (15 ft)			
MQDC-430RA	9.14 m (30 ft)			
MQDC-450RA	15.2 m (50 ft)			

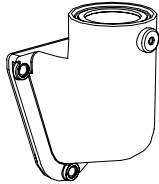
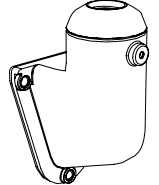
5-Pin Threaded M12/Euro-Style Cordsets (Single Ended)				
Model	Length	Style	Dimensions	Pinout (Female)
MQDC1-501.5	0.50 m (1.5 ft)	Straight		 <p>1 = Brown 2 = White 3 = Blue 4 = Black 5 = Gray</p>
MQDC1-506	1.83 m (6 ft)			
MQDC1-515	4.57 m (15 ft)			
MQDC1-530	9.14 m (30 ft)			
MQDC1-506RA	1.83 m (6 ft)	Right-Angle		
MQDC1-515RA	4.57 m (15 ft)			
MQDC1-530RA	9.14 m (30 ft)			

Mounting Brackets

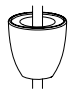


All measurements are in mm

<p>SMB30A</p> <ul style="list-style-type: none"> Right-angle bracket with curved slot for versatile orientation Clearance for M6 (¼ in) hardware Mounting hole for 30 mm sensor 12-ga. stainless steel  <p>Hole center spacing: A to B=40 Hole size: A=∅ 6.3, B= 27.1 x 6.3, C=∅ 30.5</p>	<p>SMB30FA</p> <ul style="list-style-type: none"> Swivel bracket with tilt and pan movement for precise adjustment Mounting hole for 30 mm sensor 12-ga. 304 stainless steel Easy sensor mounting to extrude rail T-slot Metric and inch size bolt available  <p>Bolt thread: SMB30FA, A= 3/8 - 16 x 2 in; SMB30FAM10, A= M10 - 1.5 x 50 Hole size: B= ∅ 30.1</p>
<p>SMB30MM</p> <ul style="list-style-type: none"> 12-ga. stainless steel bracket with curved mounting slots for versatile orientation Clearance for M6 (¼ in) hardware Mounting hole for 30 mm sensor  <p>Hole center spacing: A = 51, A to B = 25.4 Hole size: A = 42.6 x 7, B = ∅ 6.4, C = ∅ 30.1</p>	<p>SMBAMS30P</p> <ul style="list-style-type: none"> Flat SMBAMS series bracket 30 mm hole for mounting sensors Articulation slots for 90°+ rotation 12-ga. 300 series stainless steel  <p>Hole center spacing: A=26.0, A to B=13.0 Hole size: A=26.8 x 7.0, B=∅ 6.5, C=∅ 31.0</p>
<p>SMBAMS30RA</p> <ul style="list-style-type: none"> Right-angle SMBAMS series bracket 30 mm hole for mounting sensors Articulation slots for 90°+ rotation 12-ga. (2.6 mm) cold-rolled steel  <p>Hole center spacing: A=26.0, A to B=13.0 Hole size: A=26.8 x 7.0, B=∅ 6.5, C=∅ 31.0</p>	<p>SMB30SC</p> <ul style="list-style-type: none"> Swivel bracket with 30 mm mounting hole for sensor Black reinforced thermoplastic polyester Stainless steel mounting and swivel locking hardware included  <p>Hole center spacing: A=∅ 50.8 Hole size: A=∅ 7.0, B=∅ 30.0</p>

LMB Sealed Right-Angle Bracket

Model	Description	Construction	
LMB30RA	Direct-Mount Models: Bracket kit with base, 30 mm adapter, set screw, fasteners, o-rings, and gaskets	Black polycarbonate	
LMB30RAC		Gray polycarbonate	
LMBE12RA	Pipe-Mount Models: Bracket kit with base, 1/2-14 pipe adapter, set screw, fasteners, o-rings, and gaskets. For use with stand-off pipe (listed and sold separately)	Black polycarbonate	
LMBE12RAC		Gray polycarbonate	

Elevated Mount System

Model	Features			Components			
SA-M30TE12 - Black Acetal	<ul style="list-style-type: none"> Streamlined black acetal or white UHMW stand-off pipe adapter/cover Connects between 30 mm light base and 1/2 in. NPSM/DN15 pipe Mounting hardware included 						
SA-M30TE12C - White UHMW							
<table border="1"> <tr> <td>Polished 304 Stainless Steel</td> <td>Black Anodized Aluminum</td> <td>Clear Anodized Aluminum</td> </tr> </table>	Polished 304 Stainless Steel	Black Anodized Aluminum	Clear Anodized Aluminum	<ul style="list-style-type: none"> Elevated-use stand-off pipe (1/2 in. NPSM/DN15) Polished 304 stainless steel, black anodized aluminum, or clear anodized aluminum surface 1/2 in. NPT thread at both ends Compatible with most industrial environments 			
Polished 304 Stainless Steel	Black Anodized Aluminum	Clear Anodized Aluminum					
<table border="1"> <tr> <td>SOP-E12-150SS 150 mm (6 in) long</td> <td>SOP-E12-150A 150 mm (6 in) long</td> <td>SOP-E12-150AC 150 mm (6 in) long</td> </tr> </table>	SOP-E12-150SS 150 mm (6 in) long	SOP-E12-150A 150 mm (6 in) long	SOP-E12-150AC 150 mm (6 in) long				
SOP-E12-150SS 150 mm (6 in) long	SOP-E12-150A 150 mm (6 in) long	SOP-E12-150AC 150 mm (6 in) long					
<table border="1"> <tr> <td>SOP-E12-300SS 300 mm (12 in) long</td> <td>SOP-E12-300A 300 mm (12 in) long</td> <td>SOP-E12-300AC 300 mm (12 in) long</td> </tr> </table>	SOP-E12-300SS 300 mm (12 in) long	SOP-E12-300A 300 mm (12 in) long	SOP-E12-300AC 300 mm (12 in) long				
SOP-E12-300SS 300 mm (12 in) long	SOP-E12-300A 300 mm (12 in) long	SOP-E12-300AC 300 mm (12 in) long					
<table border="1"> <tr> <td>SOP-E12-900SS 900 mm (36 in) long</td> <td>SOP-E12-900A 900 mm (36 in) long</td> <td>SOP-E12-900AC 900 mm (36 in) long</td> </tr> </table>	SOP-E12-900SS 900 mm (36 in) long	SOP-E12-900A 900 mm (36 in) long	SOP-E12-900AC 900 mm (36 in) long				
SOP-E12-900SS 900 mm (36 in) long	SOP-E12-900A 900 mm (36 in) long	SOP-E12-900AC 900 mm (36 in) long					
SA-E12M30 - Black Acetal	<ul style="list-style-type: none"> Streamlined black acetal or white UHMW mounting base adapter/cover Connects between 1/2 in. NPSM/DN15 pipe and 30 mm (1-3/16 in) drilled hole Mounting hardware included 						
SA-E12M30C - White UHMW							

Banner Engineering Corp Limited Warranty

Banner Engineering Corp. warrants its products to be free from defects in material and workmanship for one year following the date of shipment. Banner Engineering Corp. will repair or replace, free of charge, any product of its manufacture which, at the time it is returned to the factory, is found to have been defective during the warranty period. This warranty does not cover damage or liability for misuse, abuse, or the improper application or installation of the Banner product.

THIS LIMITED WARRANTY IS EXCLUSIVE AND IN LIEU OF ALL OTHER WARRANTIES WHETHER EXPRESS OR IMPLIED (INCLUDING, WITHOUT LIMITATION, ANY WARRANTY OF MERCHANTABILITY OR FITNESS FOR A PARTICULAR PURPOSE), AND WHETHER ARISING UNDER COURSE OF PERFORMANCE, COURSE OF DEALING OR TRADE USAGE.

This Warranty is exclusive and limited to repair or, at the discretion of Banner Engineering Corp., replacement. **IN NO EVENT SHALL BANNER ENGINEERING CORP. BE LIABLE TO BUYER OR ANY OTHER PERSON OR ENTITY FOR ANY EXTRA COSTS, EXPENSES, LOSSES, LOSS OF PROFITS, OR ANY INCIDENTAL, CONSEQUENTIAL OR SPECIAL DAMAGES RESULTING FROM ANY PRODUCT DEFECT OR FROM THE USE OR INABILITY TO USE THE PRODUCT, WHETHER ARISING IN CONTRACT OR WARRANTY, STATUTE, TORT, STRICT LIABILITY, NEGLIGENCE, OR OTHERWISE.**

Banner Engineering Corp. reserves the right to change, modify or improve the design of the product without assuming any obligations or liabilities relating to any product previously manufactured by Banner Engineering Corp.